

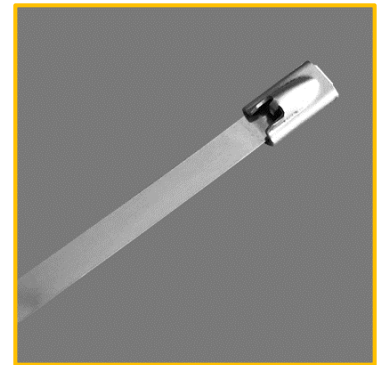


SUPA-TIES

316 STAINLESS STEEL CABLE TIES

TECHNICAL INFORMATION

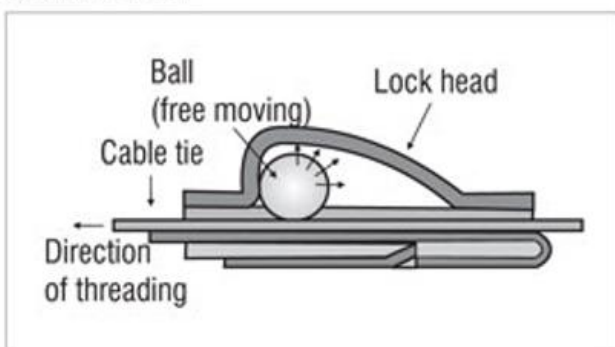
- Made from 316 stainless steel
- Excellent UV resistance and chemical resistance
- Operation temperature of -80°C to $+538^{\circ}\text{C}$
- Minimum installation temperature of -60°C
- Non-flammable
- Smooth surface and rounded edges for safe use
- Self-locking ball lock system



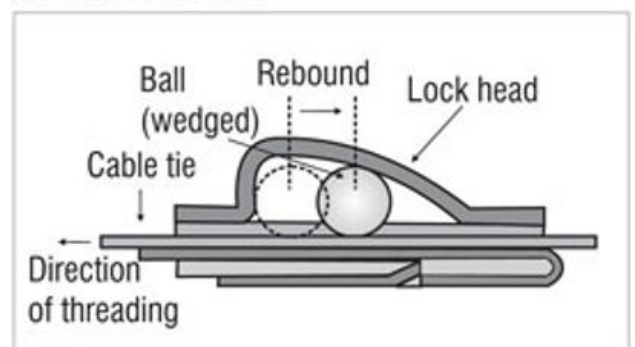
BALL-LOCK MECHANISM

- As the stainless-steel band is inserted into the buckle, the internal locking ball rolls freely.
- During tensioning, the band wedges into the buckle locking it tightly between the buckle and the band.

A) Initial Position



B) Wedge Lock Position



PRODUCT INFORMATION & SPECIFICATIONS

Series	PPC Code	Width (mm)	Length (mm)	Pack Quantity	Material Colour	Min. Tensile Strength (kg _F)	Min. Bundle Diameter (mm)	Max. Bundle Diameter (mm)
S	CT0015	4.60	360	100	Silver	90.75	15.00	112.80
S	CT0016	4.60	520	100	Silver	90.75	15.00	163.80
S	CT0017	4.60	840	100	Silver	90.75	15.00	265.70
S	CT0032	4.60	1,020	100	Silver	90.75	15.00	323.00